

# Dixie-Narco®



Lawrence Street  
Ranson, West Virginia 25438

(304) 725-3481  
(304) 624-0553

## Service Bulletin # \_\_\_\_\_

Date: November 1, 1982  
Revised: November 12, 1982  
Revised: January 18, 1984

MODEL: DNCB 432/246-6 Adaptable 1 1/4" Deeper

SUBJECT: Shimming & Adjustment Instructions

SETTING: \*This model is shipped set to vend 12 oz. Cans i.e.,  
1. Rear spacers are install in Vender, Positions #19.  
2. Two flat shims per column are installed in vender.

IMPORTANT: Order by Kit # and refer to this Bulletin #250.

<u>KIT CONSISTS OF</u>		<u>KIT #</u>	<u>PACKAGE</u>	<u>FLAT SHIMS REQ'D PER COLUMN</u>	<u>REAR SPACER POSITION</u>
Required number of shims shipped installed in vender. Order crown puller w/hardware.			**12 oz. Can	2	19
		1	<u>RETURNABLES</u>		
			*16 oz. Coke	2	23
			*16 oz. Pepsi	2	23
			*10 oz. Coke	6	18
			*10 oz. Sprite, Tab, Fanta	6	18
			*10 oz. Diet Coke	-	-
			*10 oz. Pepsi	6	18
			*10 oz. Diet Pepsi	-	-
			*10 oz. Dr Pepper	6	18
		2	*10 oz. Diet Dr Pepper	6	18
			*10 oz. 7-Up	6	18
			*10 oz. Royal Crown Cola	6	18
			*10 oz. Diet Rite Cola	6	18
			<u>NON-RETURNABLES</u>		
			*10 oz. NR Mountain Dew Paper Label	6	12
			*10 oz. NR Dr Pepper Paper Label	6	12
		1	*10 oz. NR Coke-B	2	12
			*10 oz. NR Sprite-B	2	12
Remove Flat Shims. Not Needed			**10 oz. PLB	0	23

24 Flat Shims Per 6 Column Vender  
1 Crown Puller w/hardware Per 6 Column Vender

Required number of shims shipped installed in vender. Order crown puller w/hardware.

Remove Flat Shims. Not Needed

\*Package is single depth.  
\*\*Package is double depth.

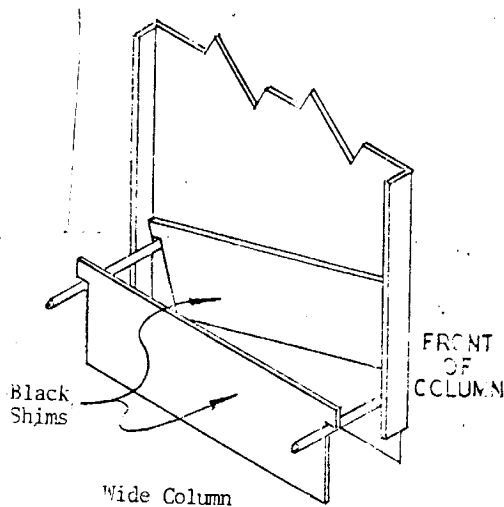
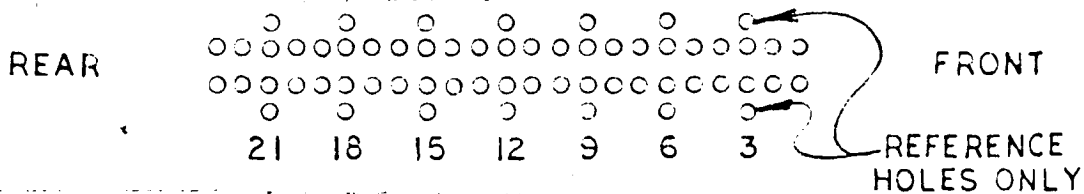
Crown Puller with Hardware

- 1 901,000.190.02 Crown Puller
- 3 900,201,480.01 Screws (10-32 x 3/8)
- 3 903,000,170.02 Washer (#-10)
- 3 900,900,960.02 Nuts (10-32)

FLAT SHIM

Part # 801,804,960.01

REAR SPACER ADJUSTMENT HOLES



Kit #1

Consists of: Note: Required number of shims shipped installed in Vender.

1	901,000,190.02	Crown Puller	Per Vender
3	900,201,480.01	Screw (10-32x3/8)	
3	903,000,170.02	Washer (#10)	
3	900,900,960.02	Nuts (10-32)	

Kit #2

Consists of:

24	801,804,960.01	Flat Shims	Per Vender
1	901,000,190.02	Crown Puller	
3	900,201,480.01	Screw (10-32x3/8)	
3	903,000,170.02	Washer (#10)	
3	900,900,960.02	Nuts (10-32)	